

Pressalit 300 Compact with soft close, incl. D17 universal hinge

No. 654000-D17999 with cover



Design/Year

Pressalit, 2007

Product Description

PRESSALIT toilet seat with cover, model "Pressalit 300 Compact", art. no. 654 made of colour ingrained duroplast with stainless steel hinges

- with D17 universal hinge of stainless steel
- centre distance: 125-225 mm
- load - ring seat max. 240 kg
- suitable for the toilets Compact
- 10 year guarantee

Colour Programme xxx

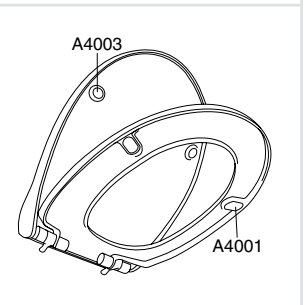
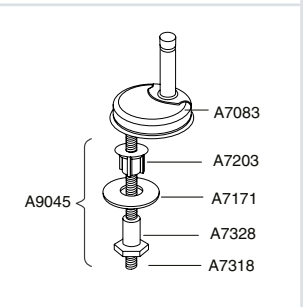
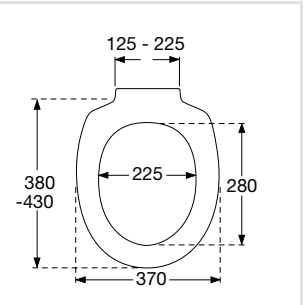
000 White

Hinge Finish

999 Stainless steel

Spare Parts

A4001 Buffer for pushing into seat, oval, white
A4003 Buffer for pushing into seat, round, white



Developed especially for Sphinx sanitary programme of the same name.

Product Weight

Net weight approx. ca. 3000 gr, incl. hinge

Packaging

Single carton
5 single cartons in a master carton
12 master cartons (60) per pallet

Dimensions:

449x381x74 mm
456x388x390 mm

Weight::

3.400 gr
17.800 gr

Material Description**Toilet seat:**

The material is colour ingrained duroplast (UF A 10 = urea formaldehyde) that contains no environmentally hazardous substances. UF plastic comprises 67% urea formaldehyde resin, 28% cellulose, as well as 5% minerals, pigments, lubricants and moisture content. The raw material from the supplier contains up to 0.03% free formaldehyde and even less following curing.

Buffers:

EVA (copolymer made of ethylene and vinyl acetate).

Damper kit:

Hydraulic damper with stainless steel damper casing and thermoplastic parts.
Damper liquid: Anti-friction liquid.

Mount/hinges:

Stainless steel (V2A) model W. no. 1.4301/M in accordance with DIN 17441/85.
Composition: chrome (cr) 17-19%, nickel (ni) 8-11%, carbon <0.05%, molybdenum, silicone, sulphur, titanium.

Suitability List

Usable on Compact toilets - see www.pressalit.com

Cleaning Instructions

Use a mild soap solution to clean the seat. Please take care that the seat and hinges are not left damp. Dry off any residual water or cleaning agent with a soft cloth. Avoid contact of the seat and hinges with abrasive, corrosive or chlorine-based cleaners, as these may cause damage or lead to flash rust. Therefore, when cleaning the bowl, make sure that the seat and cover are kept in an upright position until all cleaning agent has been flushed away.

The guarantee includes faults or defects in the material of our products within a period of 10 years.
Products subject to minor technical modifications and design deviations E. & O.E.



Pressalit A/S, Denmark



www.pressalit.com

European Sales Agencies
Unit 10c Tanfield Lea (North) Industrial Estate
Tanfield Lea, Stanley
Co Durham, DH99UU
Tel. 01207 236622, Fax 01207 236633
info@europeansalesagencies.com
www.europeansalesagencies.com

Pressalit A/S
Pressalitvej 1
DK-8680 Ry
Tel. (+45) 8788 8788
Fax (+45) 8788 8789
pressalit@pressalit.com

PRESSALIT®
seats