

Pressalit Toilet Roll Holder (Duroplast)

No. 480xxx

Design

Pressalit, 2005

Product Description

PRESSALIT toilet roll holder art. no. 480 in duroplast.
 - tear-off edge which enables the user to operate it with one hand
 - clip-function allows fixing of magazines or any type of gimmick
 - 10 year guarantee

Colour Programme
xxx

000 white, 001 black, 155 flame, 273 pergamon
 (also available in wood, see the back)

Spare Part

A8837 Mounting kit

Product Weight

Net weight approx. 0,370 kg

Packaging

A3144 Single carton	Dimensions: 140x189x50 mm	Weight: 0,450 kg
600 pcs. per pallet		

Material Description

The material is colour ingrained duroplast (UF A 10 = urea formaldehyde) that contains no environmentally hazardous substances. UF plastic comprises 67% urea formaldehyde resin, 28% cellulose, as well as 5% minerals, pigments, lubricants and moisture content. The raw material from the supplier contains up to 0.03% free formaldehyde and even less following curing.

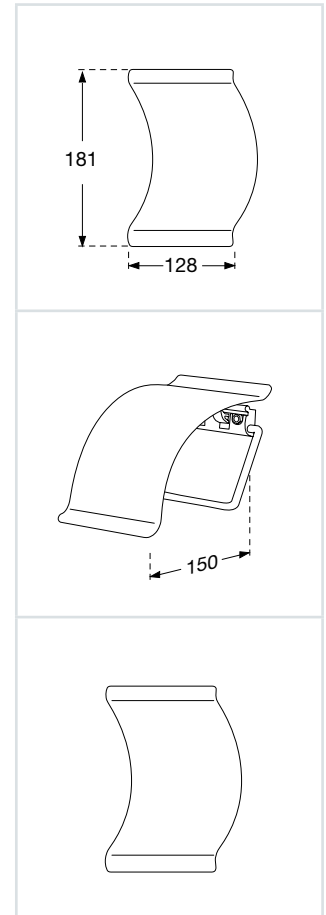
Rack: POM (polyoxymethylene)
 Bracket: Stainless steel Ø6
 Spring: Stainless, acid-resistant wire

Mounting

Can be mounted in all types of wall material, including wood and wooden boards, using the mounting kit supplied.

Cleaning Instructions

Use a mild soap solution. Should not be left damp, but be dried with a soft cloth.



The toilet roll holder is designed with soft, round lines to match Pressalit's toilet seats. A built-in spring holds down the paper, so that the toilet roll holder can be operated with only one hand. The holder has a clip-function at the back for fixing postcards, children's drawings, a magazine etc.

Pressalit Toilet Roll Holder (Wood)

No. 480xxx

Design

Pressalit, 2005

Product Description

PRESSALIT toilet roll holder art. no. 480 in solid wood.
 - tear-off edge which enables the user to operate it with one hand
 - clip-function allows fixing of magazines or any type of gimmick
 - laminated wood
 - 10 year guarantee

Colour Programme xxx

615 mahogany, 616 cherry

Spare Part

A8837 Mounting kit

Product Weight

Net weight approx. 0,370 kg

Packaging

A3144 Single carton
600 pcs. per pallet

Dimensions:
140x189x50 mm

Weight:
0,450 kg

Material Description

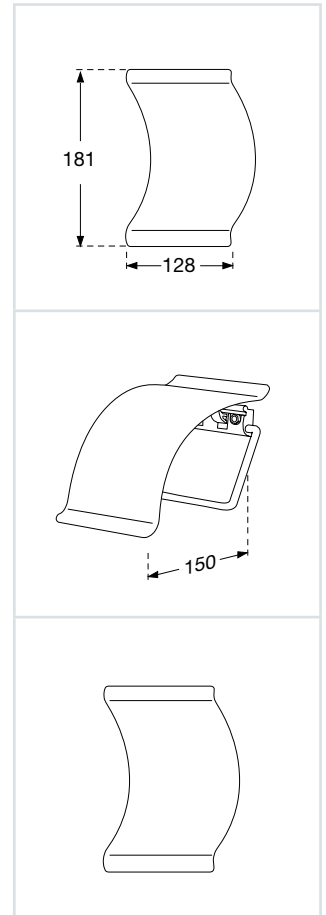
Cover: Laminated wood, pressed in moulding tool.
 In total 6 layers of veneer and 2 covering layers
 Surface in mahogany, cherry
 (615) mahogany (Coloured pigment in lacquer)
 (616) cherry
 Surface: 3 x acid-hardened transparent lacquer.
 Rack: POM (polyoxymethylene)
 Bracket: Stainless steel Ø6
 Spring: Stainless, acid-resistant wire

Mounting

Can be mounted in all types of wall material, including wood and wooden boards, using the mounting kit supplied.

Cleaning Instructions

Use a mild soap solution. Should not be left damp, but be dried with a soft cloth.



www.pressalit.com