

Pressalit Sign – when wellness, functionality and individuality create perfection. The soft and rounded edges of the seat and the curved surface of the cover make Pressalit Sign a delight to the eye. With quick-release or fixed hinges.



Pressalit Sign with soft close,
incl. BG2 fixed hinge with quick-release

No. 552xxx-BG2999 with cover

Design/Year

Pressalit 2006

Product Description

PRESSALIT toilet seat with cover, model "Sign", art. no. 552 of colour ingrained duroplast.
 - incl. BG2 fixed hinge with quick-release
 - incl. quick-release and soft close function
 - centre distance: 155 mm
 - removable seat/cover facilitates cleaning
 - rounded edges
 - load – ring seat 240 kg
 - 10 year guarantee

Colour Programme xxx

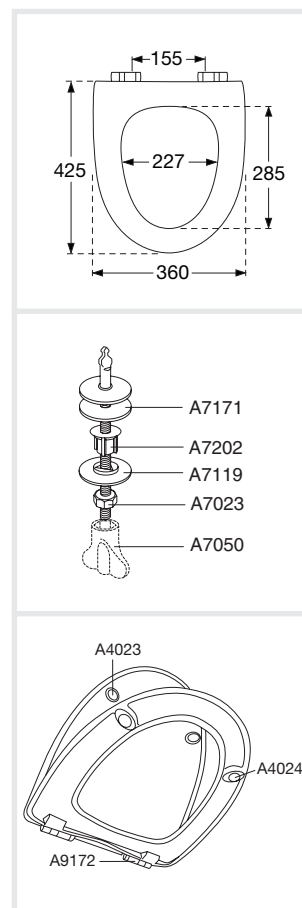
000 white, 001 black, 033 topas, 068 bermuda blue, 155 flame, 186 mandarin, 277 lime, 333 sand

Hinge Finish

999 Stainless steel

Spare Parts

A4023 Buffer for pushing into cover, oval, grey
 A4024 Buffer for pushing into seat, oval, grey
 A9172 Release button and spring



<i>Product Weight</i>	Net weight approx. 2900 gr, incl. hinge		
<i>Packaging</i>	Single carton 5 single cartons in a master carton 18 master cartons (90 seats) per pallet	Dimensions: 449x381x64 mm 456x388x340 mm	Weight: 3200 gr 16400 gr
<i>Material Description</i>	TOILET SEAT: The material is colour ingrained duroplast (UF A 10 = urea formaldehyde) that contains no environmentally hazardous substances. The body consists of approx. 50% urea (NH ₂ CONH ₂), approx. 25% cellulose and approx. 25% formaldehyde (HCHO), as well as small amounts of various fillers and additives. BUFFERS: EVA (copolymer made of ethylene and vinyl acetate). HINGE LINKS: Chromium-coated zinc in Zamak 5 type ZnAl4Cu1 in accordance with EN1774 Surface coating: Copper (Cu), nickel (Ni), chromium (Cr) Hydraulic damper polycarbonate PC Release button SEBS/SBS Hinge link bush polyacetal POM. MOUNT/HINGES: Stainless steel (V2A) model W. nr. 1.4301 DIN 17441/85. Composition: chrome (cr) 17-19%, nickel (ni) 8-11%, carbon <0.05%, molybdenum, manganese, silicone, sulphur, titanium.		
<i>Suitability List</i>	Ifö Sign.		
<i>Cleaning Instructions</i>	Use a mild soap solution. Seat and hinges should not be left damp, but be dried with a soft cloth. When using abrasive, corrosive or chlorine based cleaners for the pan, avoid contact with seat and hinges. Therefore, when cleaning the pan, make sure that seat and cover are in an upright position until all the cleaner has been flushed away. The guarantee includes faults or defects in the material of our products within a period of 10 years. Products subject to minor technical modifications and design deviations E. & O.E.		



Pressalit A/S, Denmark

www.pressalit.com

Pressalit A/S
Pressalitvej 1
DK-8680 Ry
Tel.: (+45) 8788 8788
Fax: (+45) 8788 8789
pressalit@pressalit.com
- a division of Pressalit Group A/S



Seats for your senses